

## Wipers

### Elastomer, Hygienic Design

#### SPECIFICATION

Thermoplastic polyurethane **TPU**

- Blue
- Temperature resistant -20 °C to +110 °C
- FDA compliant
- Hardness 95 ±5 Shore **A 95**

#### INFORMATION

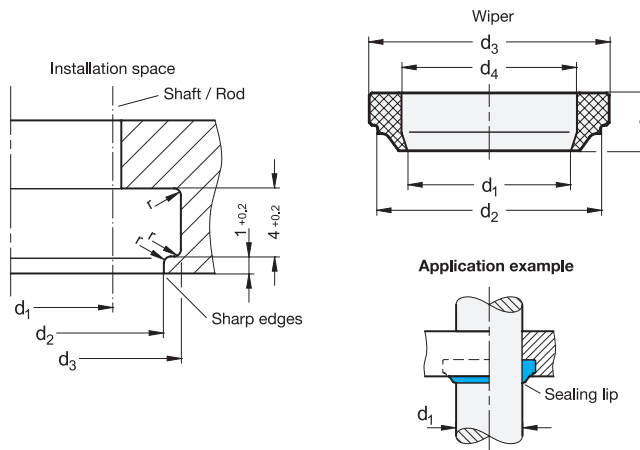
When used in hygienic areas, wipers GN 7607 can be used to seal axially or radially moving components with a cylindrical cross-section against their bearing position. With their specially shaped sealing lip, the wipers prevent the formation of dead spaces where dust can accumulate. Commercially available wipers are not suitable for this purpose due to a 45° chamfer on the inner edge of the sealing lip.

All standard parts equipped and delivered with wipers GN 7607 are listed in the table. For replacement, the corresponding wipers can be ordered individually.

As delivered, or unassembled, the wipers have the "actual dimensions" as stated in the table. To guarantee a secure fit and a reliable seal, the specified installation space must be provided at the bearing position. This ensures that the wiper undergoes the necessary deformation during installation. All surfaces in contact with the wiper should have a minimum surface quality of Ra 0.8 µm.

#### TECHNICAL INFORMATION

- ISO-Fundamental Tolerances (see page A21)
- Plastic Characteristics (see page A2)



#### GN 7607

Description	d1 H9 Nominal dimensions - Installation space	d2 H9 Nominal dimensions - Installation space	d3 H9 Nominal dimensions - Installation space	r max.	d1 Actual dimensions - Wipers, unassembled	d2 Actual dimensions - Wipers, unassembled	d3 Actual dimensions - Wipers, unassembled	d4 Actual dimensions - Wipers, unassembled	s	Suitable for	⚖
GN 7607-12-TPU-95	12	18	20	0.4	11.2	18.2	20.2	12.6	6.8	GN 19   GN 20	1
GN 7607-14-TPU-95	14	20	22	0.4	13.2	20.2	22.2	14.6	6.8	GN 1150	1
GN 7607-16-TPU-95	16	22	24	0.4	15.2	22.2	24.2	16.6	6.8	GN 19   GN 20   GN 8170	1
GN 7607-20-TPU-95	20	26	28	0.4	19.3	26.3	28.3	20.7	6.8	GN 19   GN 20   GN 1150	2
GN 7607-24-TPU-95	24	30	32	0.4	23.3	30.3	32.3	24.7	6.8	GN 19   GN 20	2